

# Provers

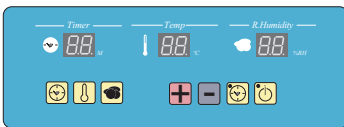
**BAKERY SERVICES**



EuroBake provers are constructed with durability in mind. Some even come flat-packed for easy accessibility to install in your bakery. The Retarder Provers can have up to a 5 day retarding cycle, to cater for the likes of public holidays (model dependant.) More uniquely, our retarder provers have heated floors to allow for condensation conditioning. This removes the necessity of having drainage at the doors of the prover (model dependant).





All models offer auto filling of water level, from mains water pressure, to alleviate the need of manually filling tanks.




Please see us for more info as various configurations are available, and customisations can be made to your preferences, depending on the rack options you intend to use with the prover.



ESM-40SP	
Capacity	
Tray Size	460mm x 720mm
Number of Trays	16
Number of Shelves	16
Shelf Spacing	75mm
Electrical Requirements	
Phases	1
Total Power	1.5kW
Dimensions	
Width	580mm
Depth	940mm
Height	2000mm
Door Type	Single Door
	
Weight	100kg

EDC1R	
Capacity	
Maximum Rack Dimensions (WxDxH)	835mm x 930mm x 1850mm
Number of Racks	1
Electrical Requirements	
Phases	1
Total Power	2kW
Dimensions	
Width	1270mm
Depth	1600mm
Height	2220mm
Rack Layout	
Weight	135kg

EDC1R+1R	
Capacity	
Maximum Rack Dimensions (WxDxH)	835mm x 930mm x 1850mm
Number of Racks	2
Electrical Requirements	
Phases	1
Total Power	2kW
Dimensions	
Width	2540mm
Depth	1600mm
Height	2220mm
Rack Layout	
Weight	270kg

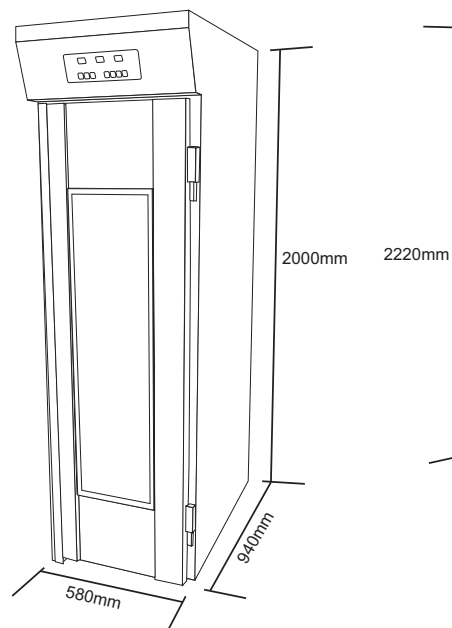
EDC2R+2R	
Capacity	
Maximum Rack Dimensions (WxDxH)	835mm x 930mm x 1850mm
Number of Racks	4
Electrical Requirements	
Phases	1
Total Power	2kW
Dimensions	
Width	2540mm
Depth	2490mm
Height	2220mm
Rack Layout	
Weight	520kg

# Provers

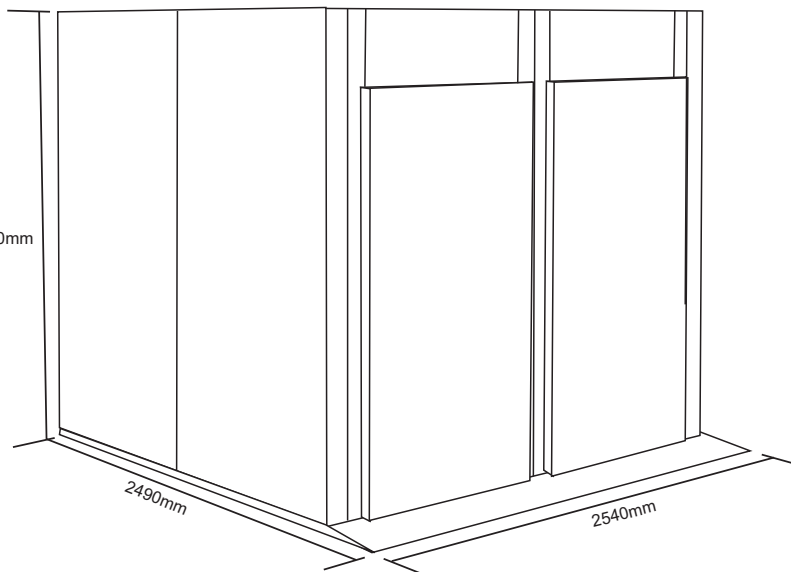
**BAKERY  
SERVICES**



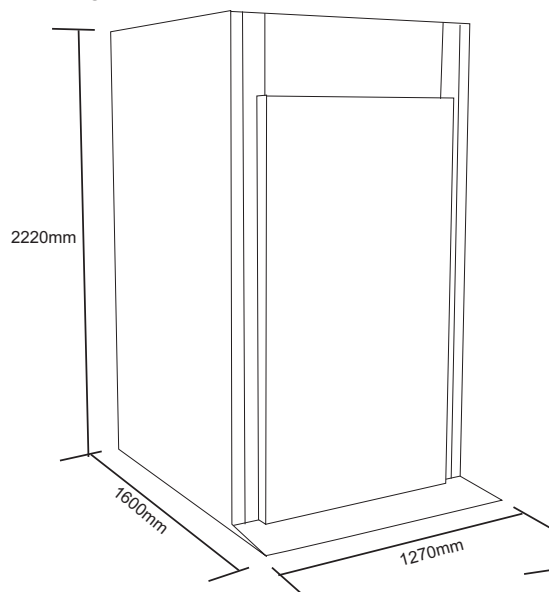
**ESM-40SP**



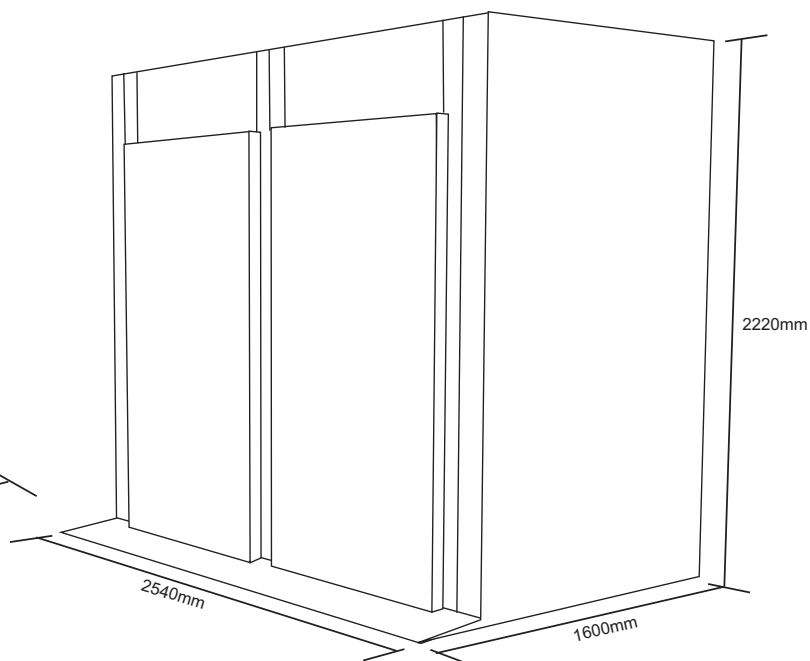
**EDC2R+2R**



**EDC1R**



**EDC1R+1R**



**BAKERY SERVICES LIMITED**

**Auckland Branch**

11 Civil Place  
Albany 1311  
PO Box 101-999  
North Shore Mail Centre  
Auckland

**Phone:** 09 478 2445

**Fax:** 09 478 2145

**Wellington Branch**

5/49 Kenepuru Drive  
Porirua 6006  
PO Box 50-185  
Porirua 6215  
Wellington

**Phone:** 04 238 9300

**Fax:** 04 238 9301

Notes:

[www.bakeryservices.co.nz](http://www.bakeryservices.co.nz) - [info@bakeryservices.co.nz](mailto:info@bakeryservices.co.nz)